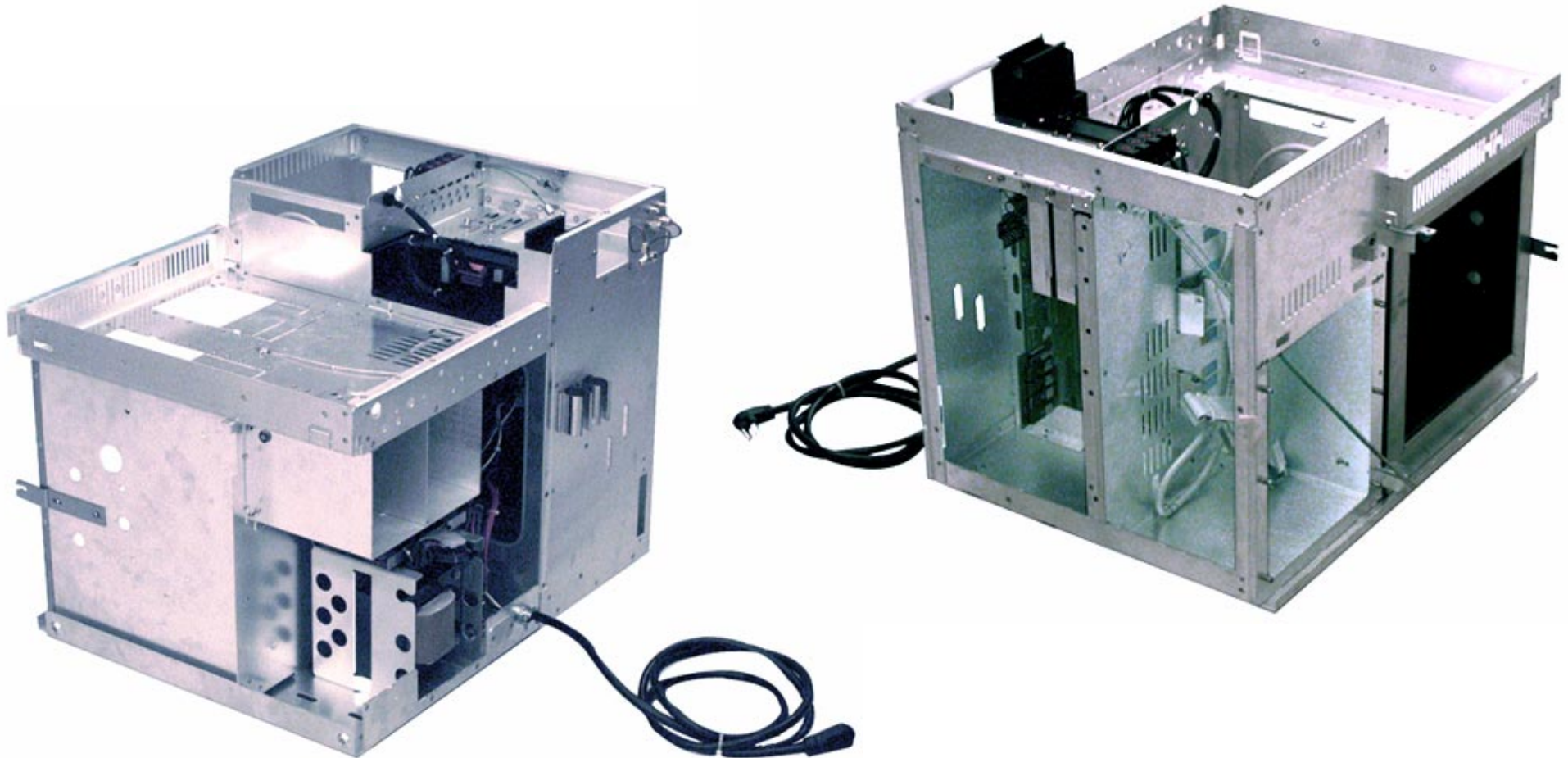
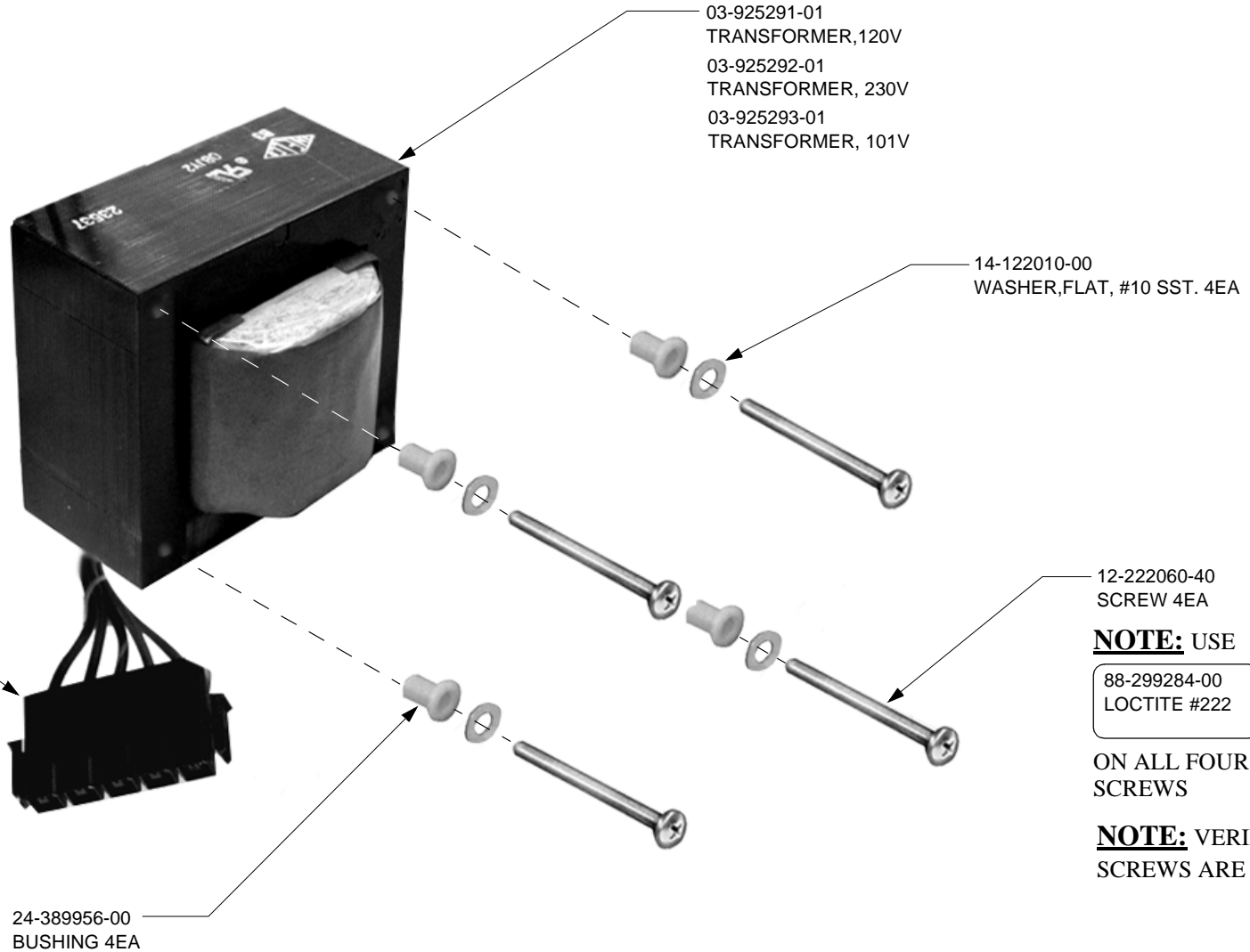
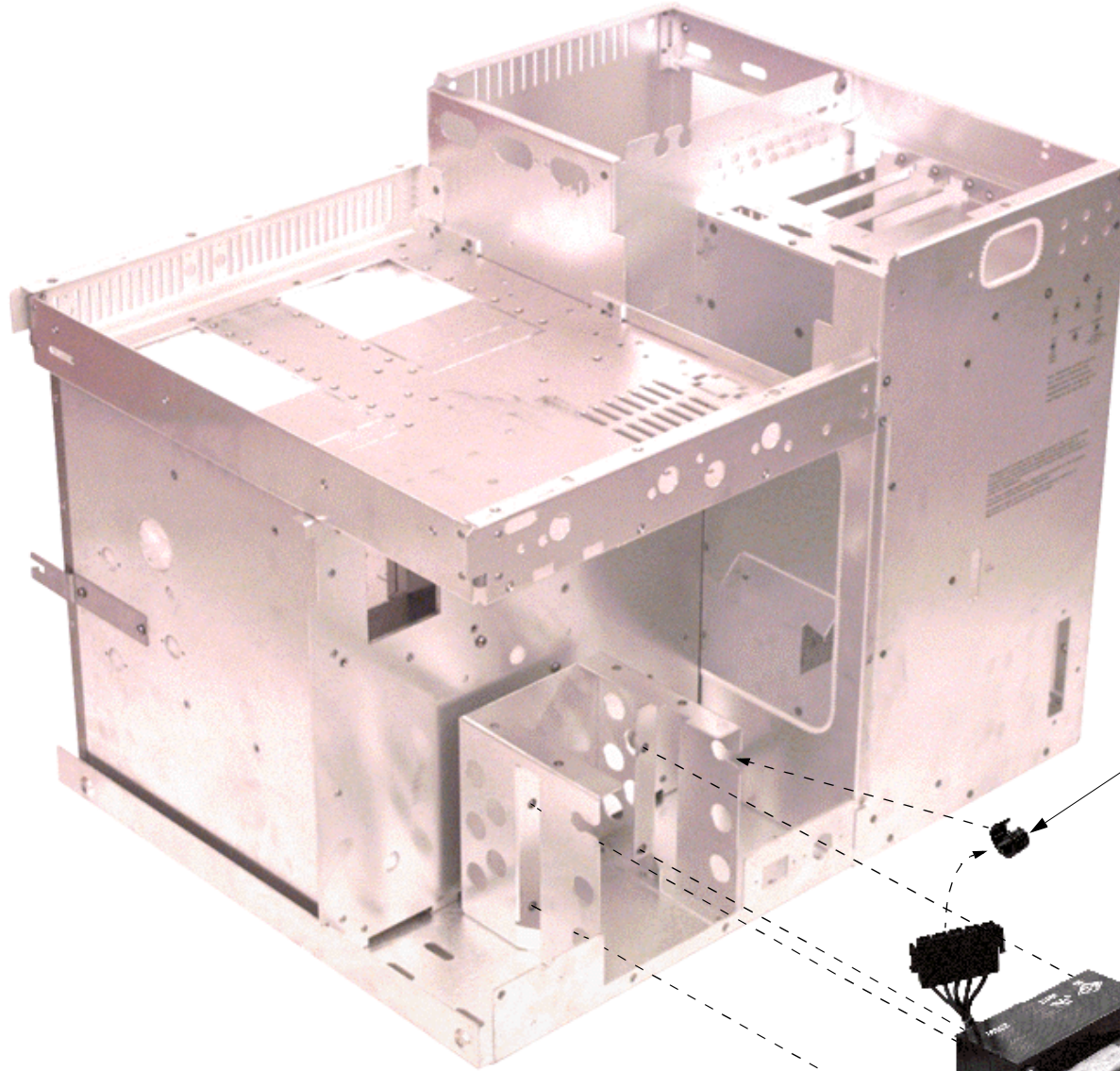


3800GC BASIC

Reference: 03-925001-00



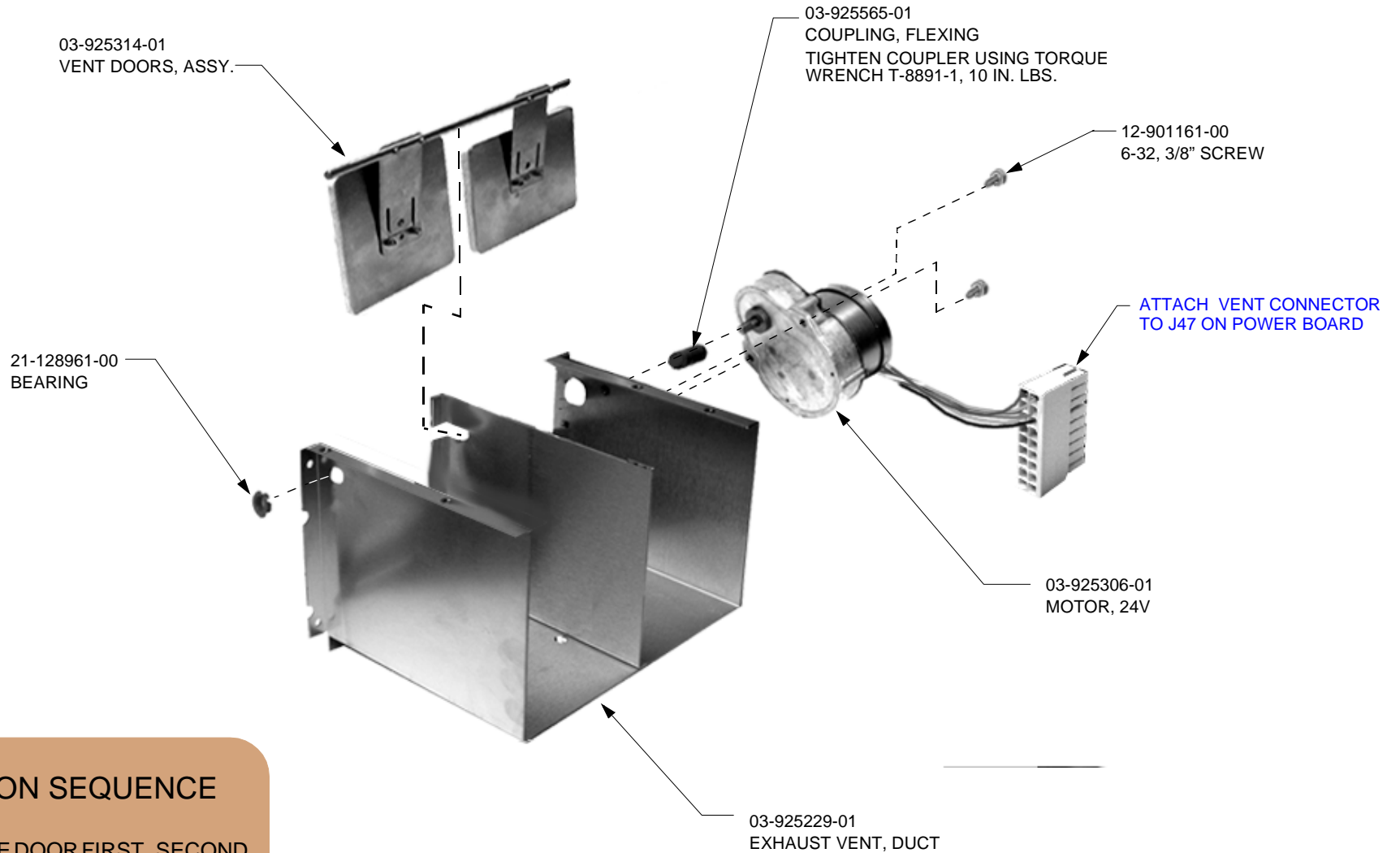




24-799873-00
GROMMET

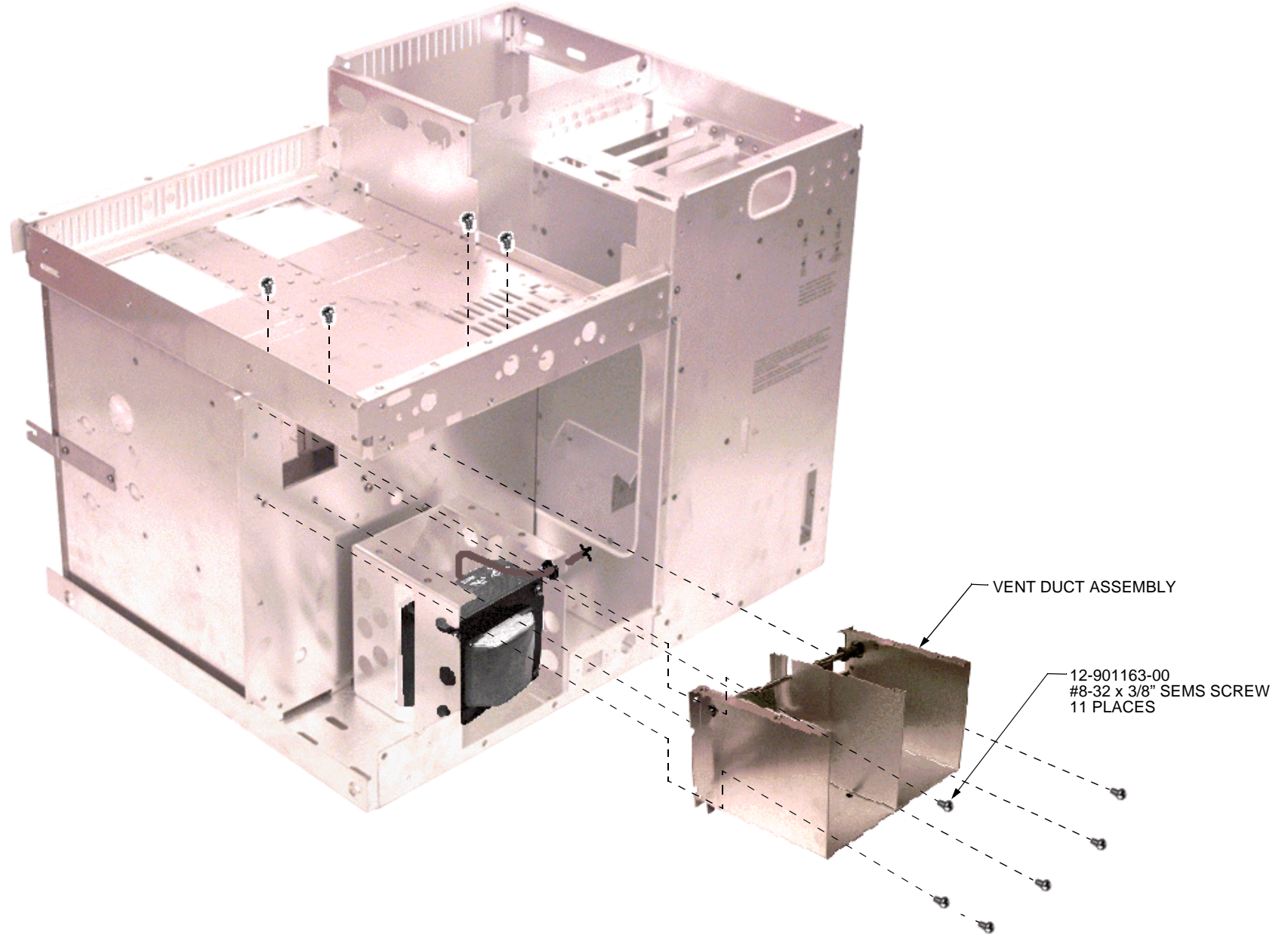
ROUTE TRANSFORMER AND
FAN MOTOR WIRES (PAGE 7)
THROUGH GROMMET.

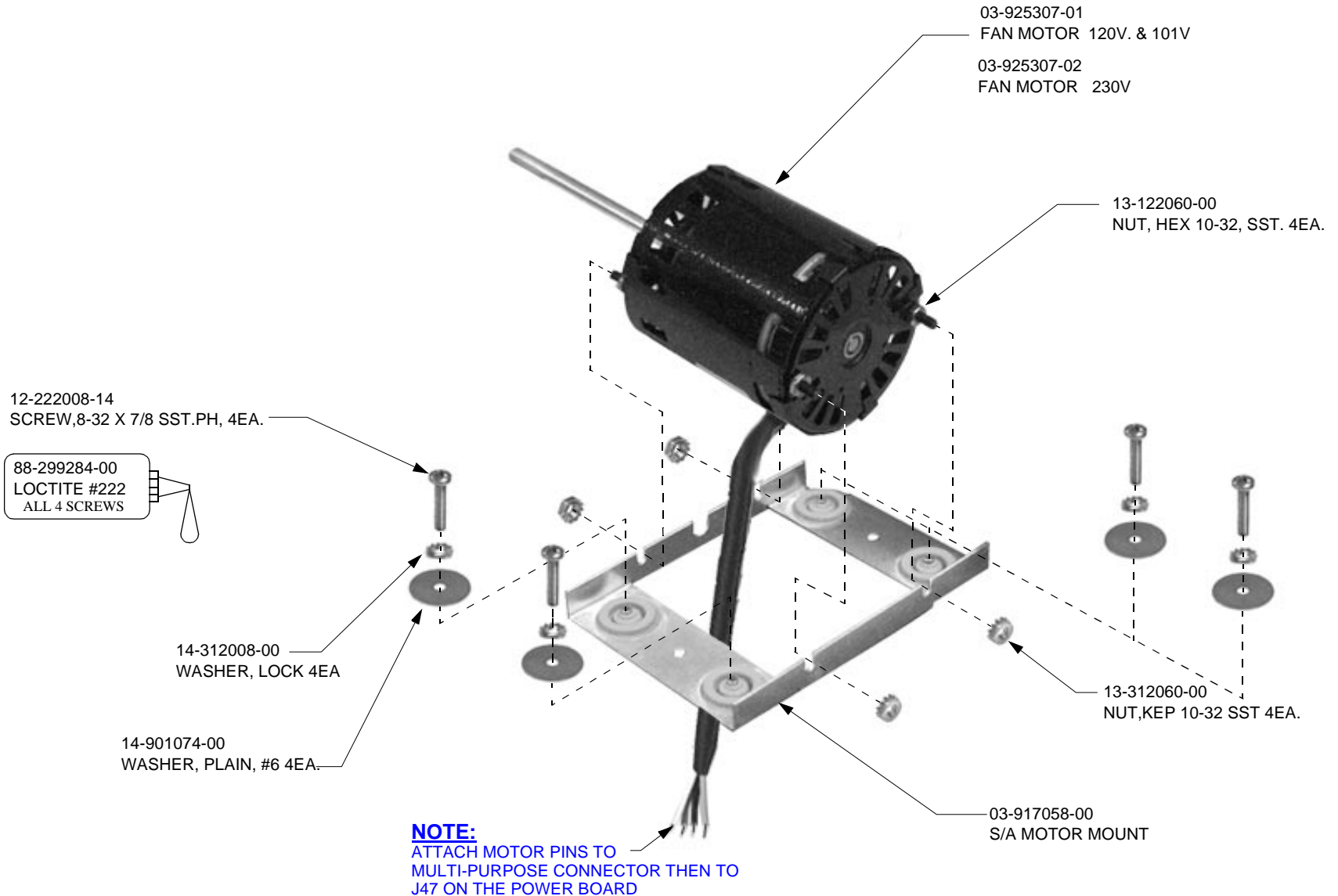
TRANSFORMER ASSEMBLY

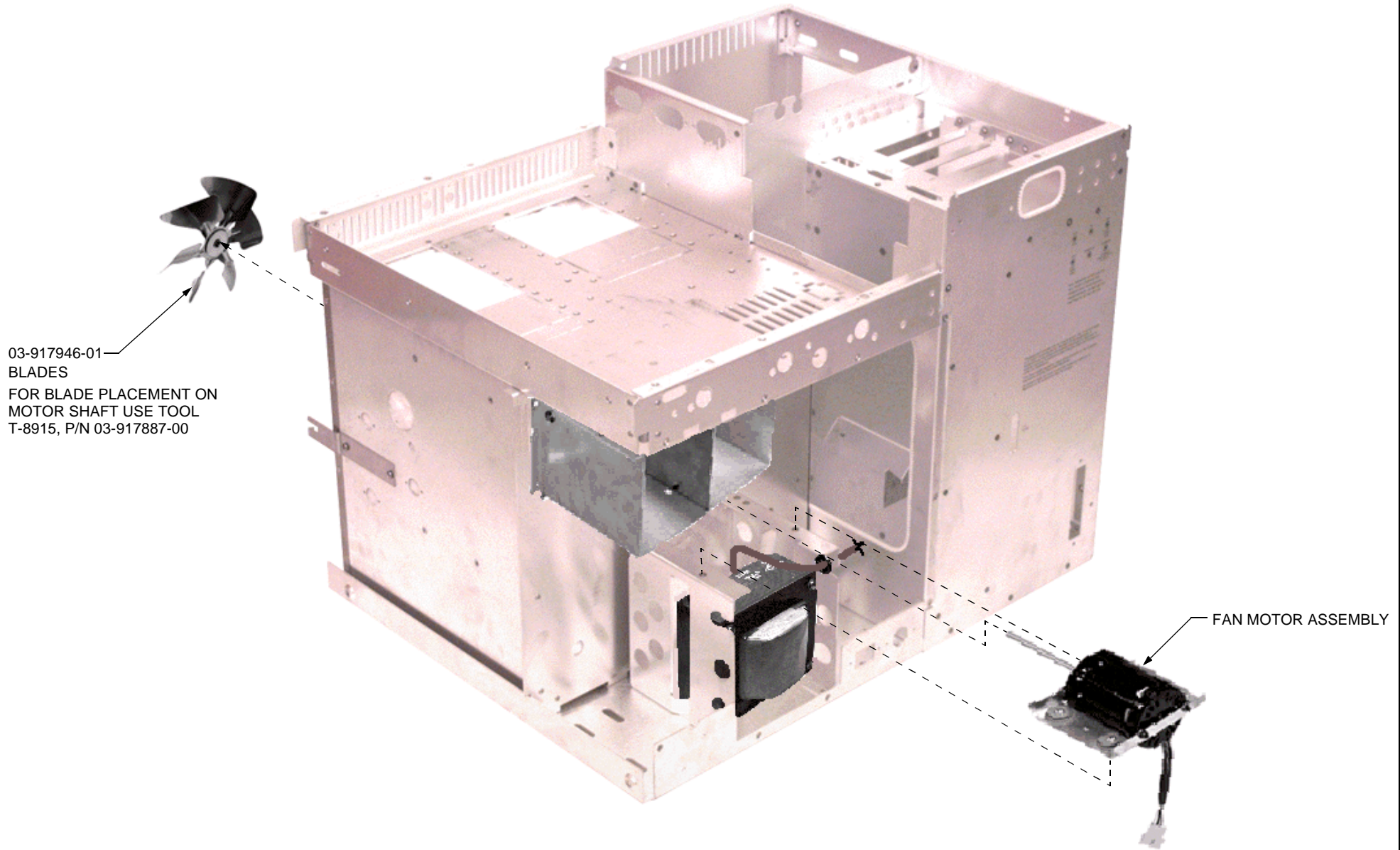


OPERATION SEQUENCE

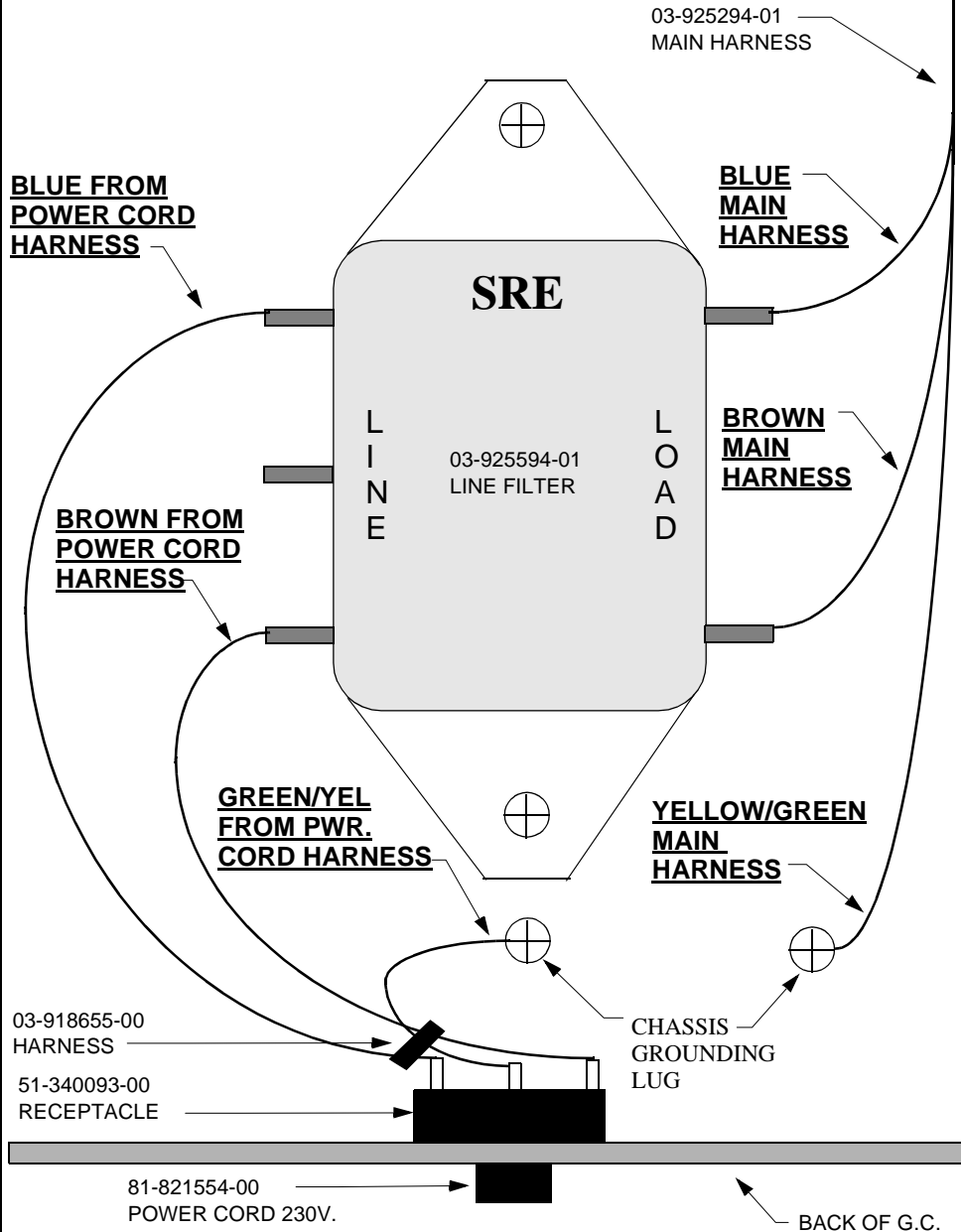
ASSEMBLE DOOR FIRST. SECOND, TIGHTEN SCREW OF THE COUPLER TO THE MOTOR SHAFT, THEN TIGHTEN THE OTHER SCREW TO THE VENT DOOR SHAFT WITH BOTH SHAFT FACES TIGHT.



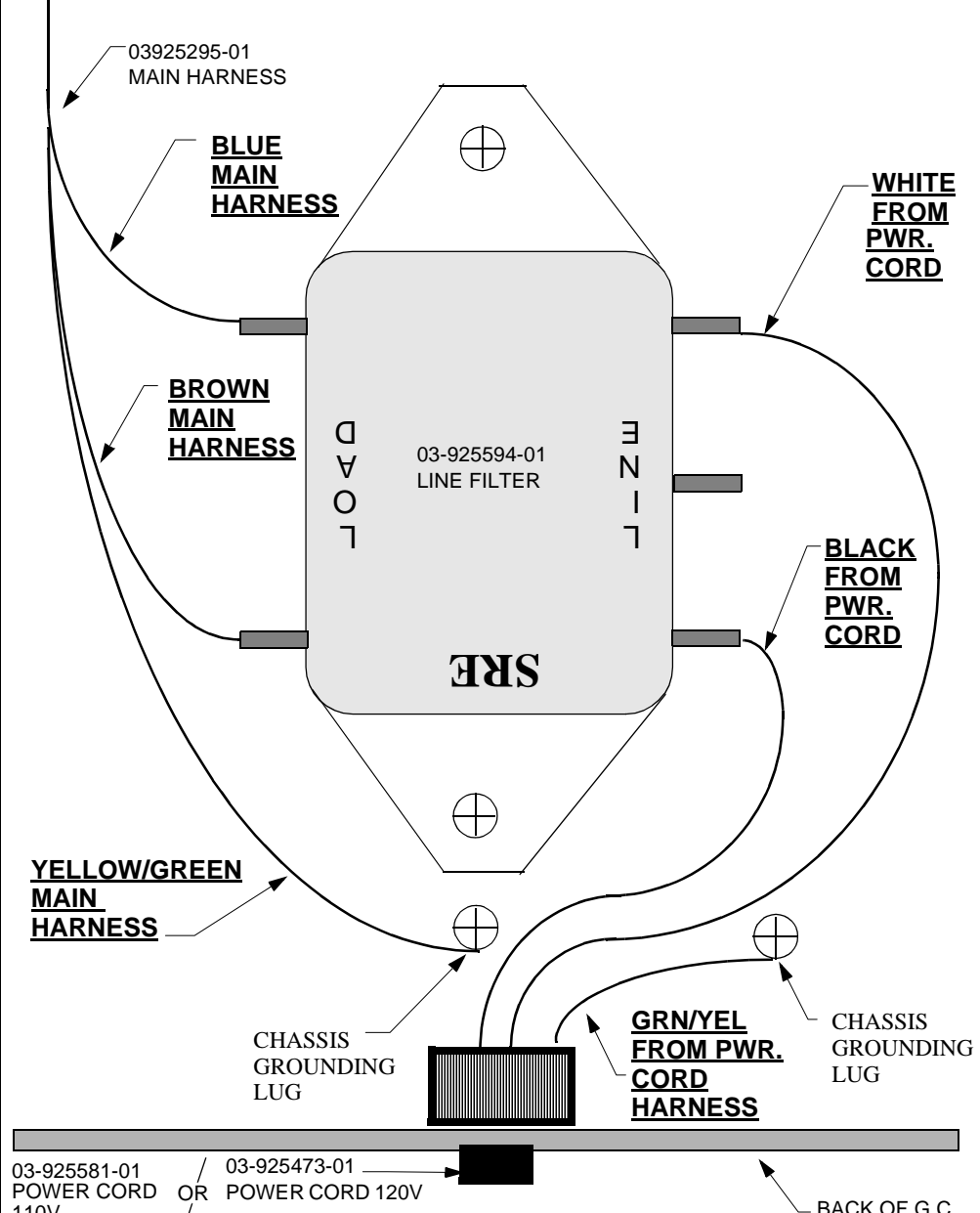




230V



120V

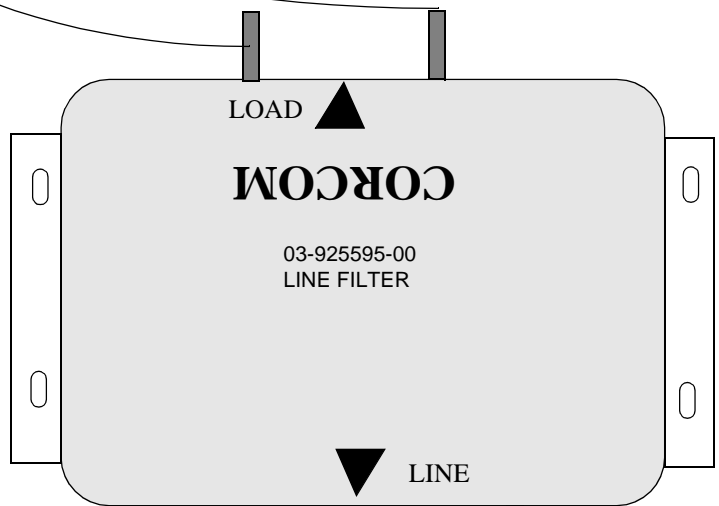


101V

03-925295-02
MAIN HARNESS

**BLUE
MAIN
HARNESS**

**BROWN
MAIN
HARNESS**



**YELLOW/GREEN
MAIN
HARNESS**

CHASSIS
GROUNDING
LUG

**WHITE
FROM
PWR.
CORD**

**BLACK
FROM
PWR.
CORD**

CHASSIS
GROUNDING
LUG

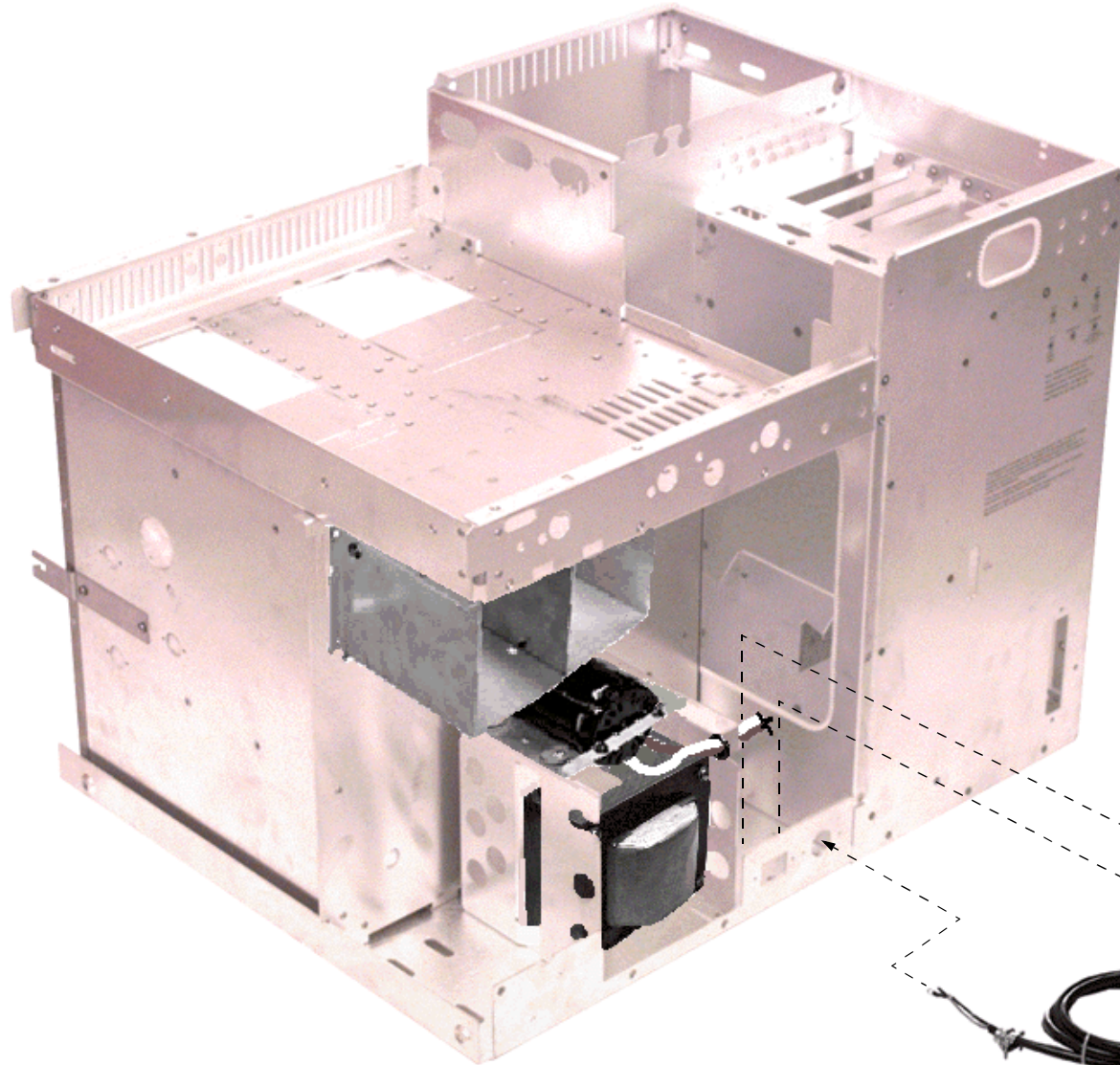
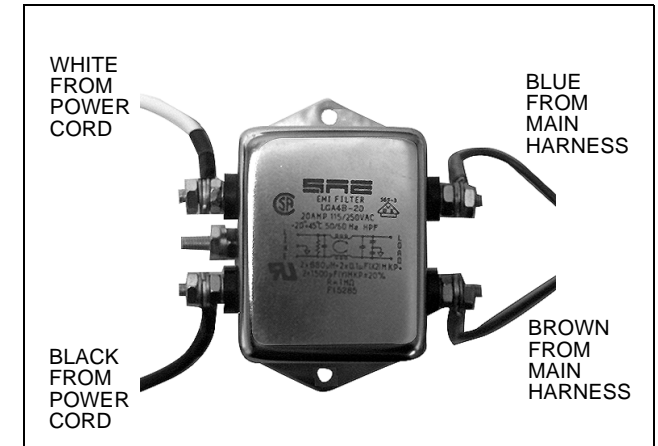
**GRN/YEL
FROM PWR.
CORD
HARNESS**



03-925581-01
POWER CORD ,101V

BACK OF G.C.

FILTER WIRING DETAIL



12-901161-00
SCREW, #6-32,x 3/8" SEM,
4 PLACES

03-925595-01
LINE FILTER, 101V

03-925594-01
LINE FILTER, 120V

03-925594-01
LINE FILTER, 230V

03-925581-01
POWER CORD, 101V,
(INSTALL IN ROUND HOLE)

03-925473-01
POWER CORD, 120V,
(INSTALL IN ROUND HOLE)

81-821554-00
POWER CORD, 230V,
(INSTALL IN RECTANGULAR HOLE)

KNURLED PASTIC NUT
INCLUDED WITH
SWITCH.

Note:
1. Finger tight First
See note 3

Note:
2. Screw for 101V
version

WIRING SCHEME. FOR 230V
CIRCUIT BREAKER

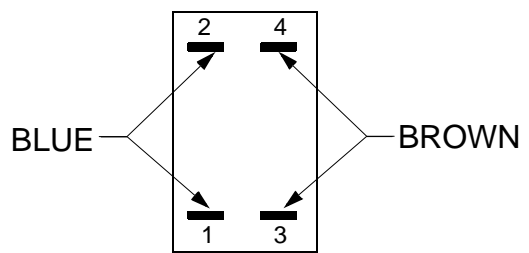


FIGURE A.

03-925210-01
POWER SWITCH HOUSING
120V & 230V

03-925210-02
POWER SWITCH HOUSING 101V

SWITCH SLOT ON THIS
SIDE FOR 101 VOLT VERSION

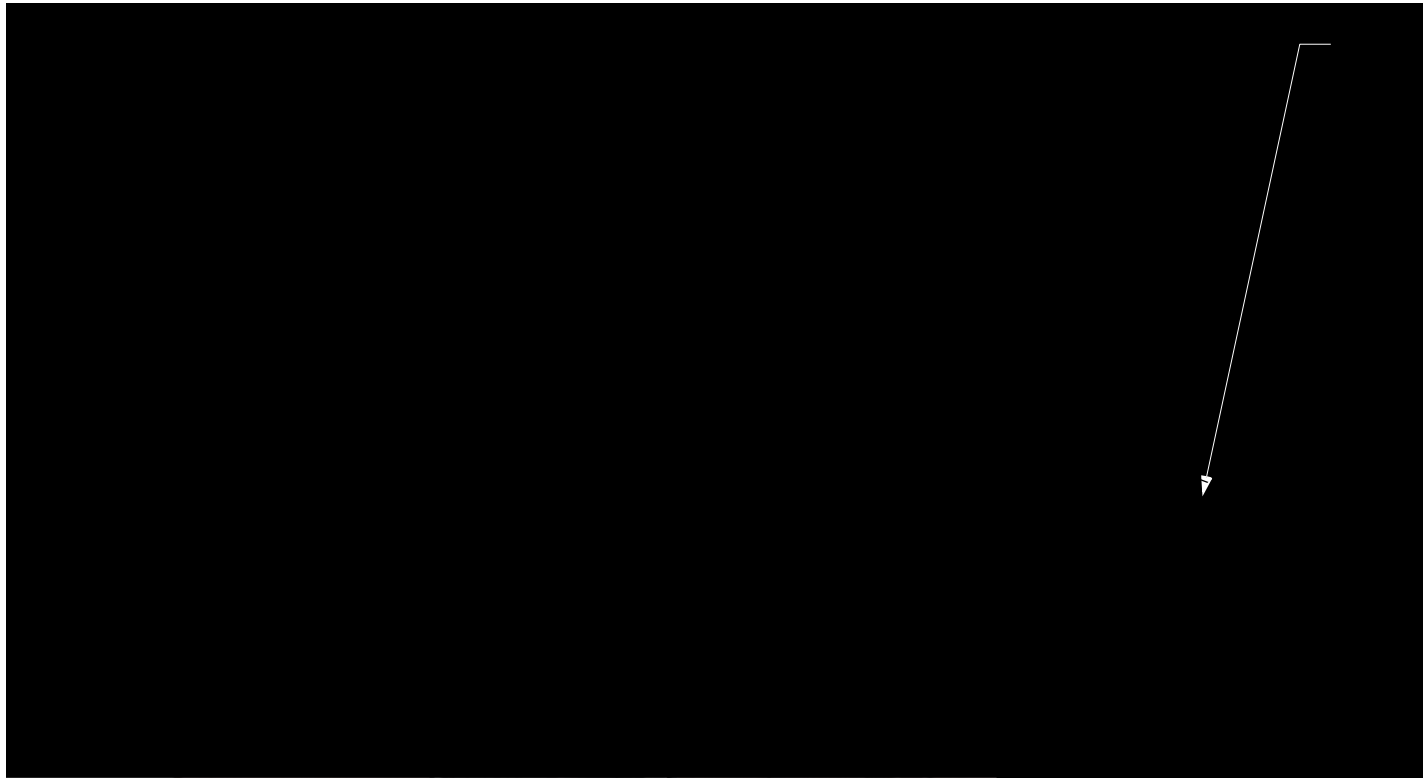
55-700701-00
CIRCUIT BREAKER 120V.

55-700702-00
CIRCUIT BREAKER 230V.

71-640149-00
CIRCUIT BREAKER 101V.

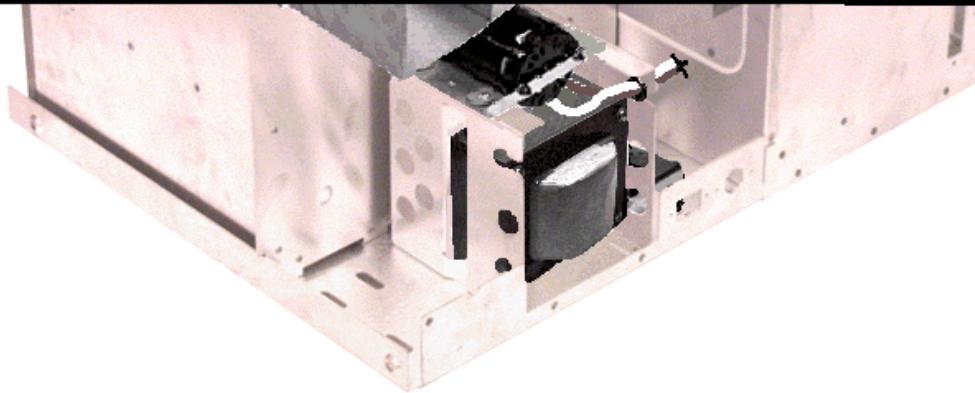
Note:
3. Wrench tighten using tool
T-8922 circuit breaker wrench

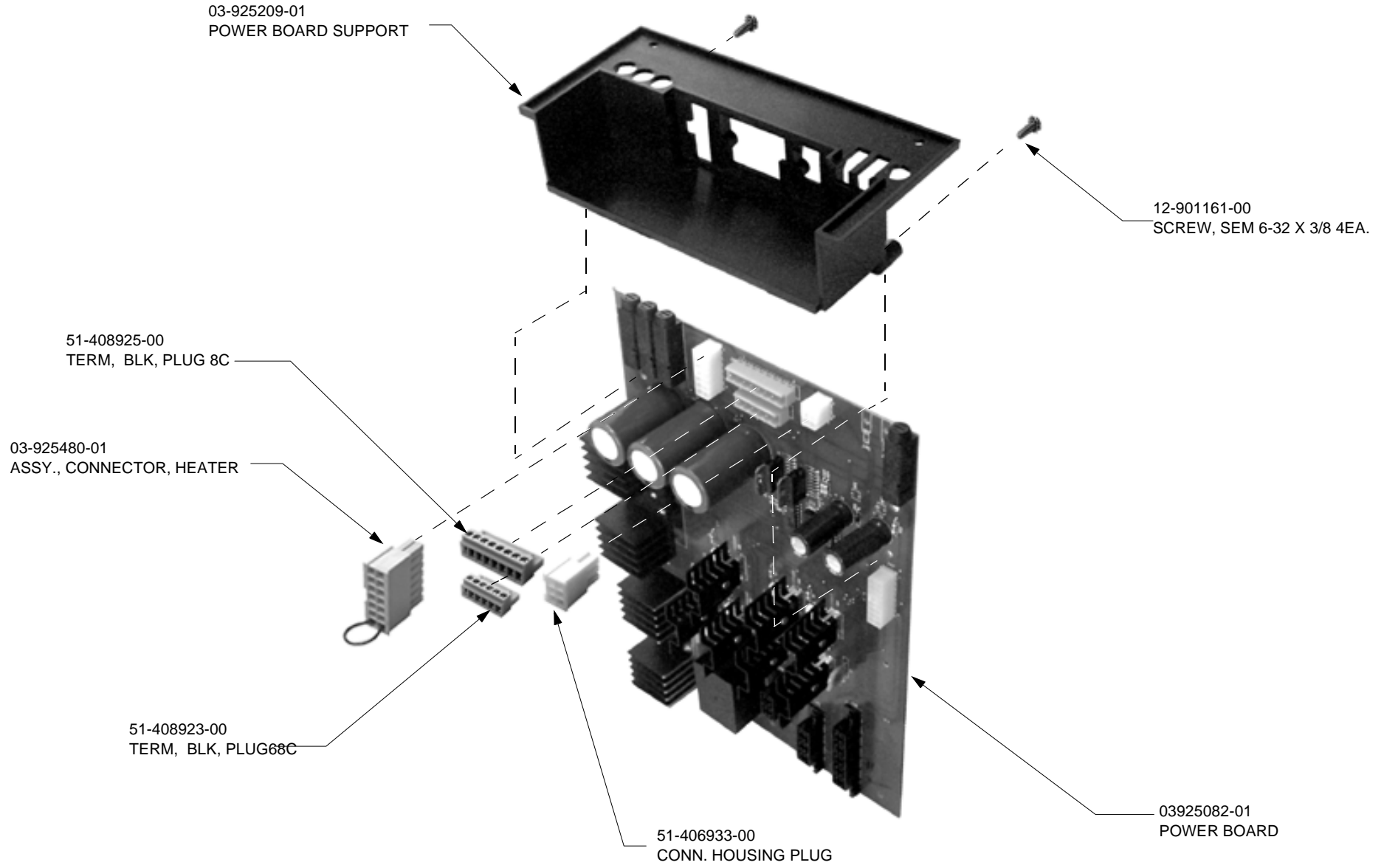
Note:
4. Connect to Main Harness
P/N 03-925295-01 120V
P/N 03-925249-01 230V
P/N 03-925295-02 101V

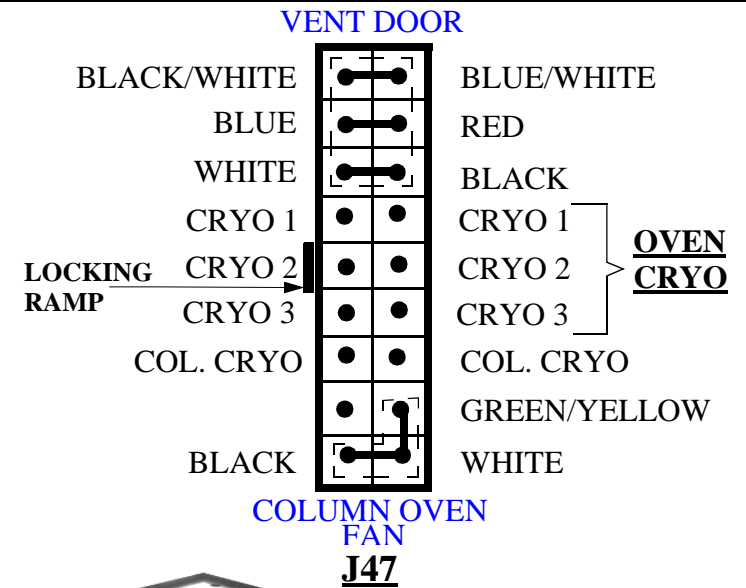
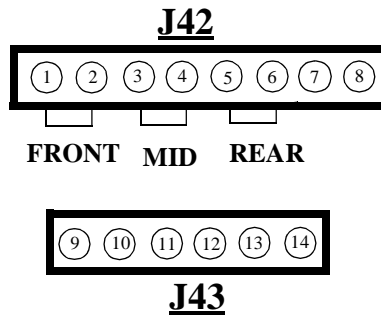
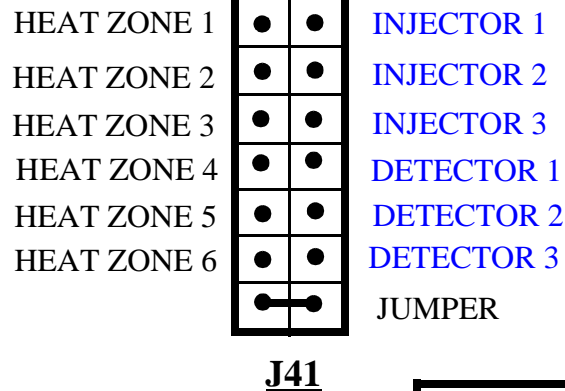


SEMBLY

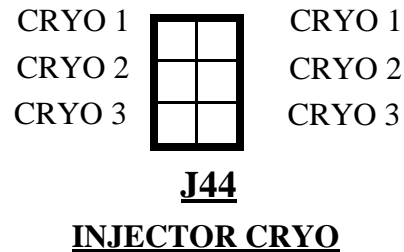
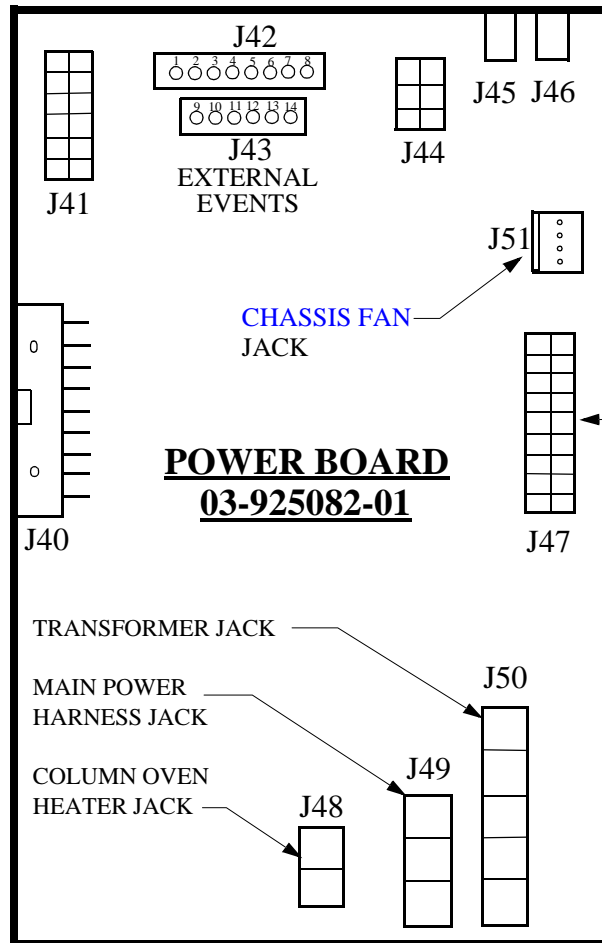
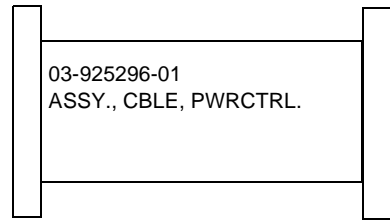
2-901163-00
CREW #8-32 x 3/8 SEMS
PLACES







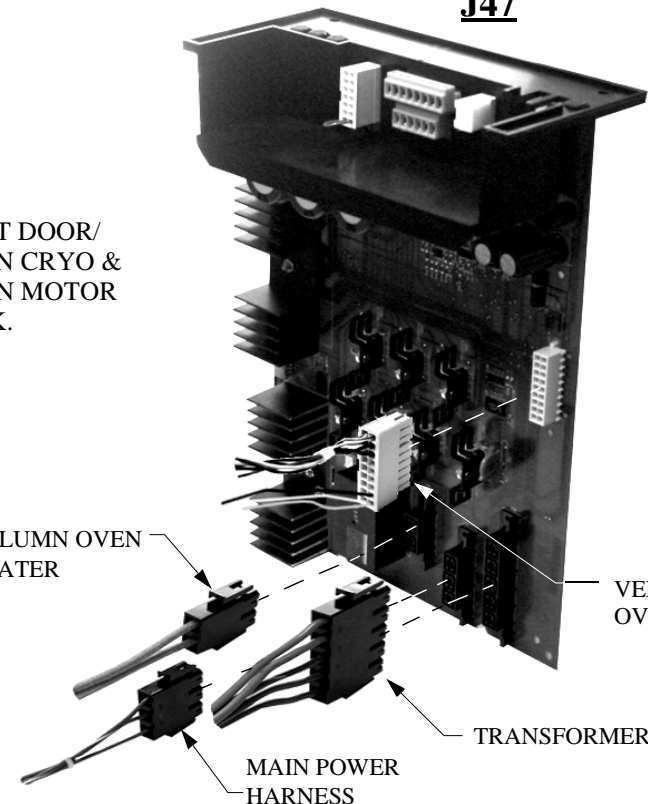
CONNECT TO J10 ON THE MAIN BD.
CLICK HERE TO SEE MAIN BD. ASSY. PROCEDURES

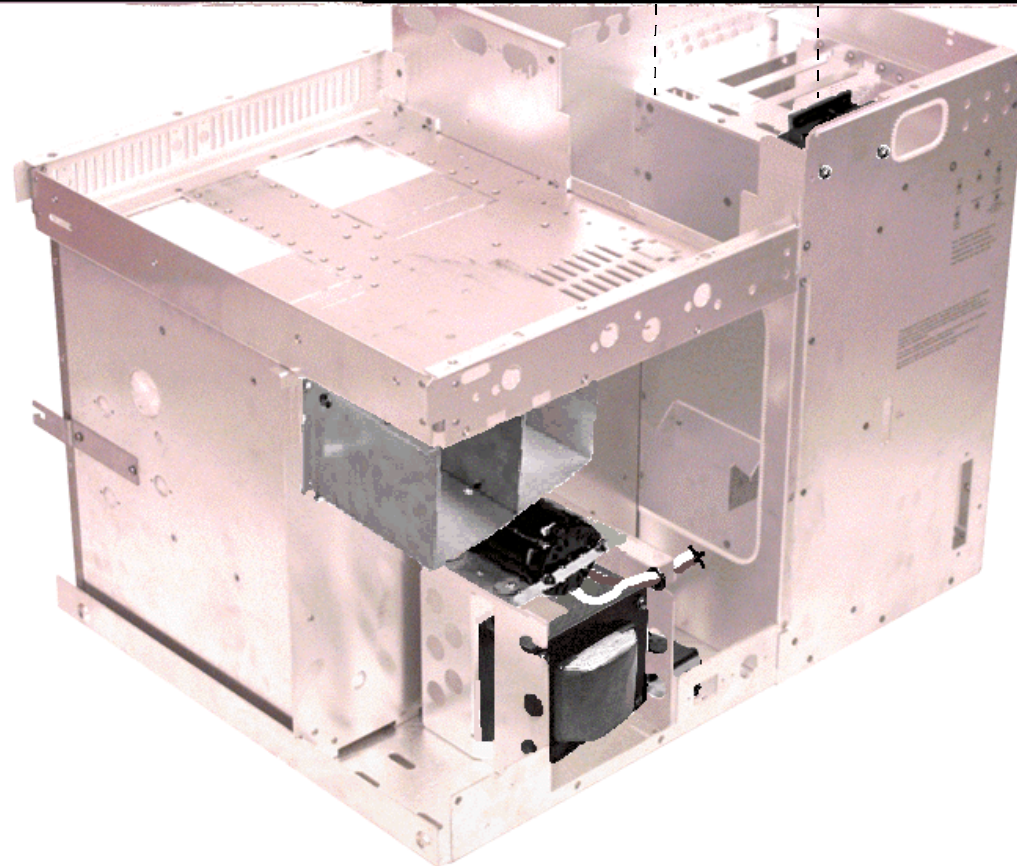


VENT DOOR/
OVEN CRYO &
OVEN MOTOR
JACK.

COLUMN OVEN
HEATER

VENT MOTOR /CRYO/
OVEN FAN MOTOR







NOTE: NOT INSTALLED
FOR FACELESS
SATURN

03-925111-01
EFC FLAT CABLE

03-925296-01
ASSY., CBLE, PWRCTRL.

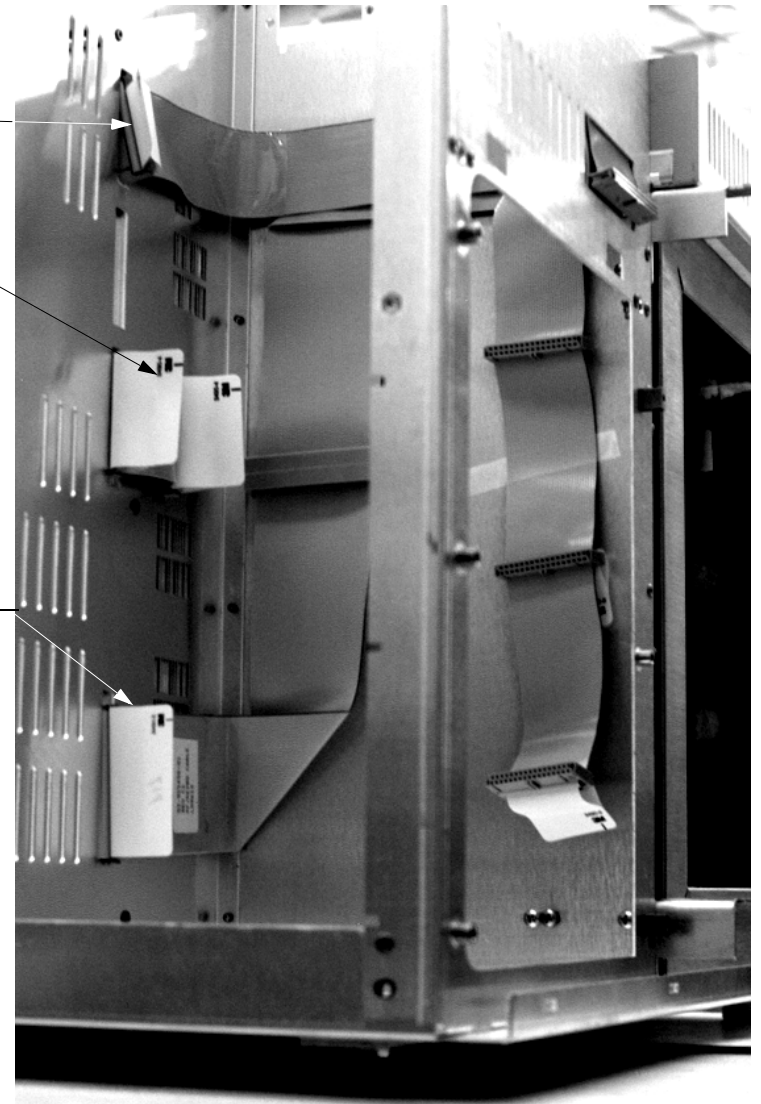
NOTE: RED LINE ON ALL
CABLES FACE UP.

03-925450-01
ASSY., CABLE FRONT PANEL

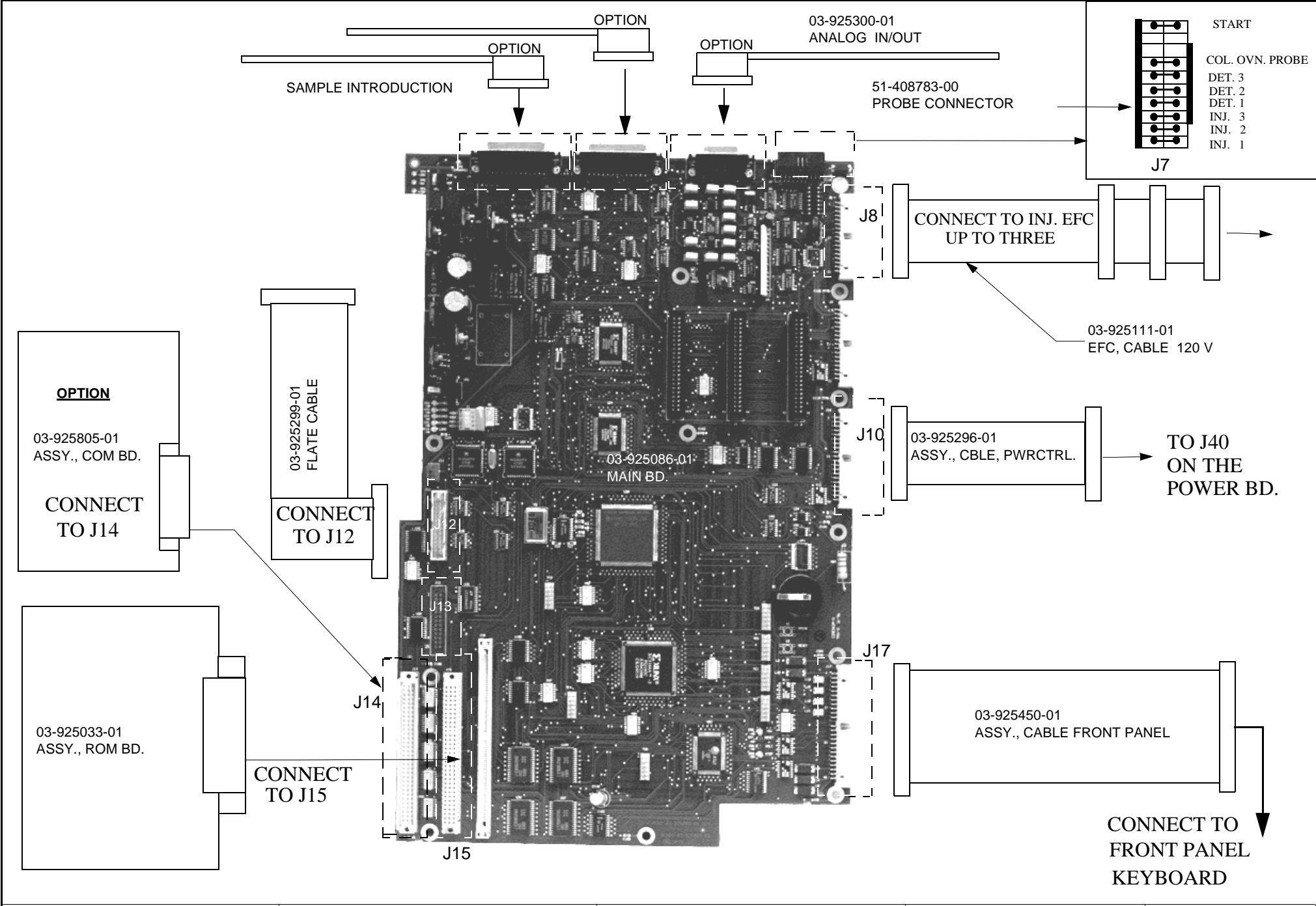
NOTE: USE T-XXXX
(CABLE FOLDING FIXTURE)
FOR FRONT PANEL CABLE

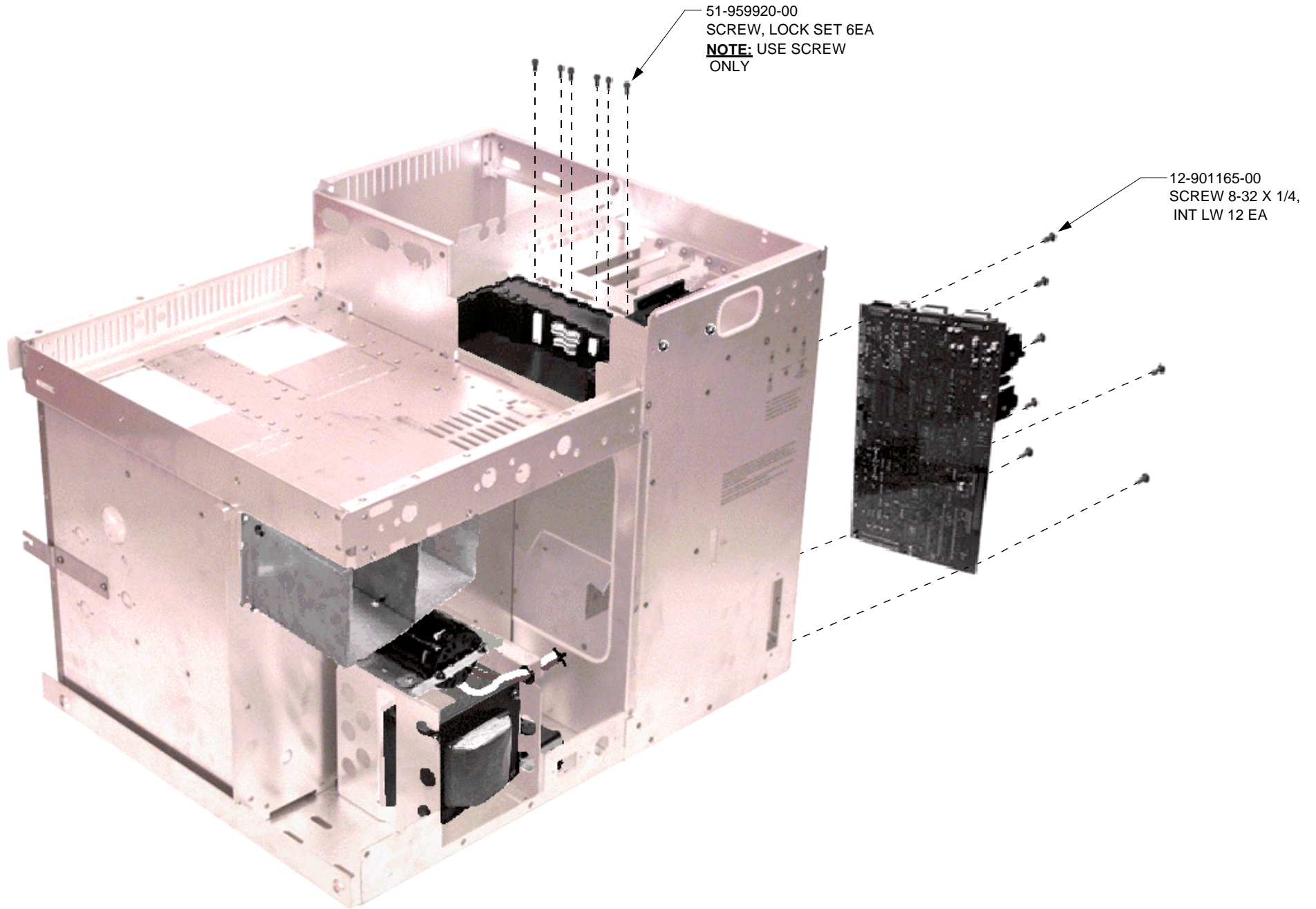
22-120322-00
FLAT CABLE CLAMP 2EA

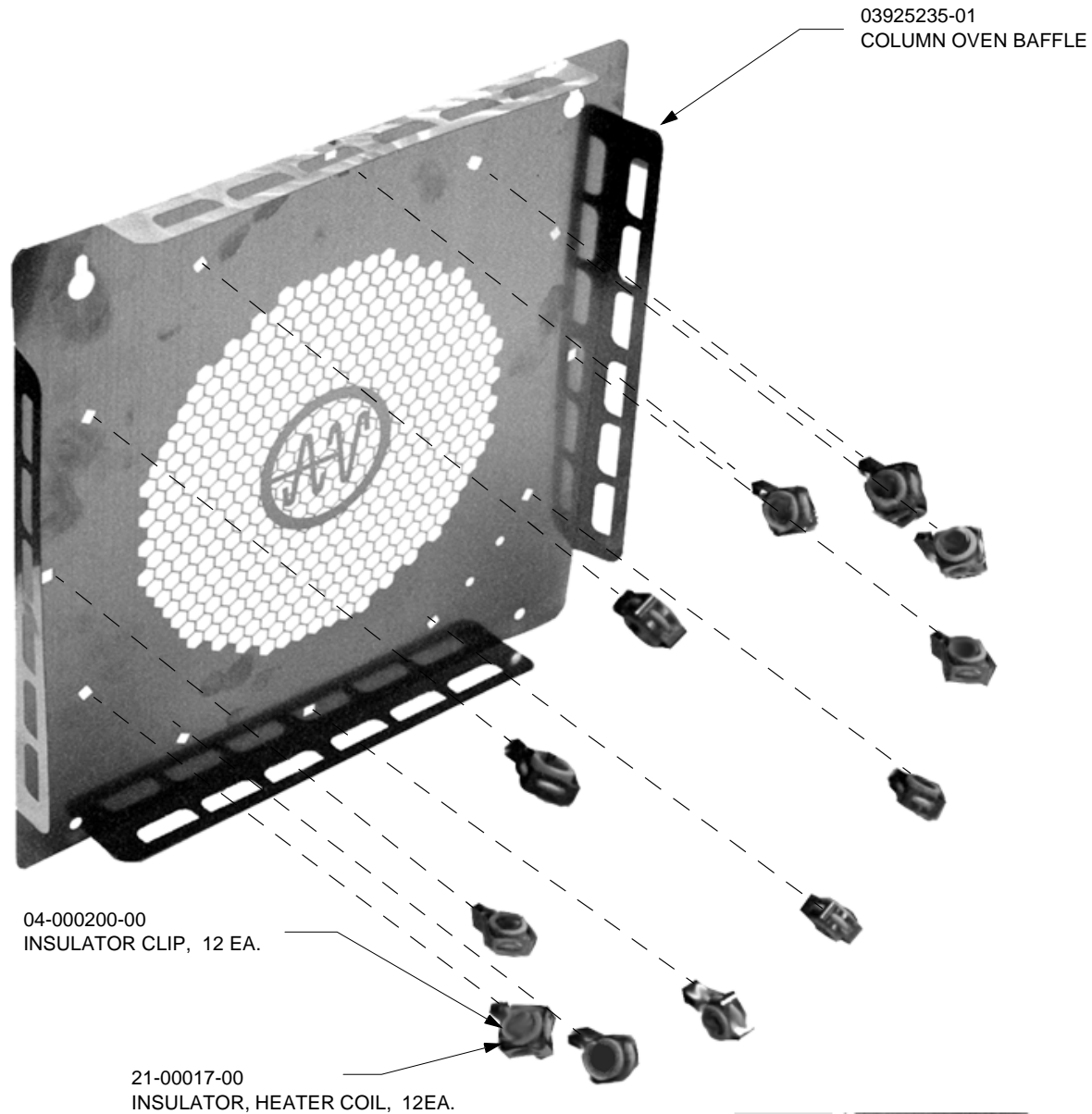
NOTE: NOT INSTALLED
FOR FACELESS
SATURN



**CABLE LAYOUT FOR
PNUEMATICS COMPARTMENT**







NOTES

NOTE:

1. RELAXED OR RETRACTED LENGTH OF HEATER COIL IS 27 1/4" TO 27 1/2".
2. **CAUTION:** CERAMIC OVEN HEATER STANDOFFS ARE FRAGILE. OVER TIGHTENING OF SCREWS WILL CAUSE BREAKAGE.
3. TIGHTEN NUT ONTO SCREW FIRST, CLAMPING RING TERMINALS. TO ENSURE PROPER CONTACT.
4. ATTACH STANDOFF TO TERMINAL ASSY. FINGER-TIGHT. SEE NOTE 2.
5. ATTACH COMPLETED ASSY TO BAFFLE LAST.
6. COIL HEATER CABLE SUCH THAT NO SHORTING TAKES PLACE

03-925233-01
HEATER COIL, COL. OVN.
1500W. (120 V)

03-925412-01
HEATER COIL, COL. OVN.
(230 V)

03-925411-01
HEATER COIL, COL. OVN.
(101 V)

Note:

See note 3

12-222006-05
SCREW, 6-32 X 5/16, SS, PH.
2EA.

03-925376-01
CABLE, HEATER

Note:

CONNECT HEATER
CABLES TO J48 ON
POWER BOARD

**UPSIDE
DOWN**

13-312000-00
KEPNUT #6, SST 2EA.

24-811803-00
CERAMIC STANDOFF 2EA

Note:

See note 4.

14-202006-00
#6 SPLIT WASHER 2EA

03-925235-01
COL. OVN BAFFLE

12-222006-03
SCREW, 6-32 3/16 SST. PH 2EA.

NOTE:
USE T-8921 HEATER ALIGN-
MENT TOOL FOR CORRECT
INSTALLATION OF COLUMN
HEATER TO COLUMN OVEN
BAFFLE.

Note:

See note 5.

